

Müller

Sound der Inspiriert

USER MANUAL FOR

MUL-12S

12 INCH CAR SUBWOOFER

MUL12S
12 Inch Car Subwoofer
Ø 2 Inch Voice Coil 4Ω

Müller
 Sound der Inspiriert

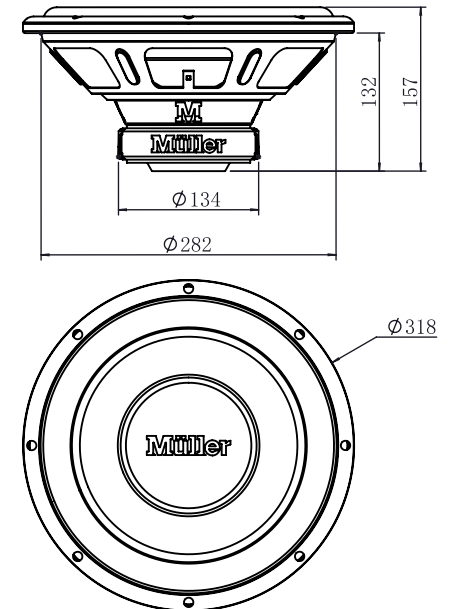
General Specifications

Overall Dimensions	mm	318*157
RMS POWER	W	250
MAX POWER	W	500
Sensitivity	dB	86.8
Frequency Response	Hz	30-300
Voice Coil Diameter	mm	50.8
Nominal Impedance	ohms	4
DC Resistance	ohms	3.3
Magnet (OZ)	Ferrite	
Basket material	Stamped Steel Basket	
Coil Material	Copper	
Former material	Aluminum	
Cone Material	PP	
Surround material	Foam	
Voice coil winding height	mm	21.4
Gap height	mm	8
Xmax	mm	6.7
BL Product	N.A	11.3
Net weight	kg	3.5

T-S Parameters

Fs	Hz	30
Mms	g	137.1
Cms	mm/N	0.18
Qms		5.49
Qes		0.69
Qts		0.61
Vas	L	70.35
Sd	c.m ²	510.7
No	%	0.29

Dimensions



FOR REFERENCE ONLY

Impedance vs Freq



SPL vs Freq

