

Müller

Sound der Inspiriert

USER MANUAL FOR

MUL-6C

6.5 INCH 2-WAY COAXIAL SPEAKER

MUL 6C
6.5 Inch 2-Way Coaxial Speaker
Ø 1.0 Inch Voice Coil 4Ω

Müller
 Sound der Inspiriert

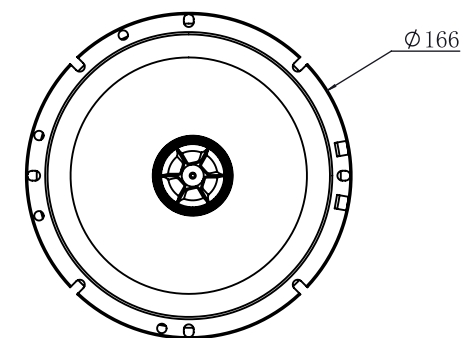
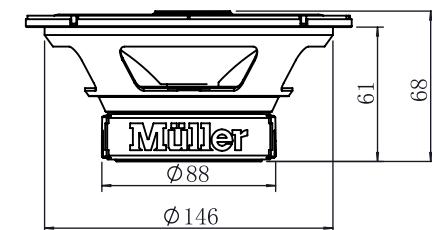
General Specifications

Type		Woofers	Tweeter
Overall Dimensions	mm	166*68	
RMS POWER	W	40	
MAX POWER	W	80	
Sensitivity	dB	86.1	
Frequency Response	Hz	70-20K	
Voice Coil Diameter	mm	25.9	13.28
Nominal Impedance	ohms	4	4
DC Resistance	ohms	3.4	3
Magnet (OZ)	Ferrite	Neodymium	
Basket material	Stamped Steel Basket	ABS	
Coil Material	Copper	CCAW	
Former material	Kapton	Kapton	
Cone Material	PP	PEI	
Surround material	Rubber	PEI	
Voice coil winding height	mm	8.7	1.4
Gap height	mm	4	1.5
X _{max}	mm	2.35	
BL Product	N.A	3.89	
Net weight	kg	0.75	

T-S Parameters

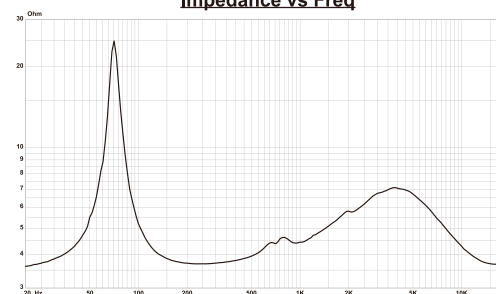
	Hz	71	4K
F _s	Hz	71	4K
M _{ms}	g	13.7	
C _{ms}	mm/N	0.36	
Q _{ms}		6.81	
Q _{es}		1.37	
Q _{ts}		1.14	
V _{as}	L	9.97	
S _d	Cm ²	138.9	
No	%	0.25	

Dimensions



FOR REFERENCE ONLY

Impedance vs Freq



SPL vs Freq

