

Müller

Sound der Inspiriert

USER MANUAL FOR

MUL-5C

5 INCH 2-WAY COAXIAL SPEAKER

MUL 5C
5 Inch 2-Way Coaxial Speaker
Ø 1.0 Inch Voice Coil 4Ω

Müller
 Sound der Inspiriert

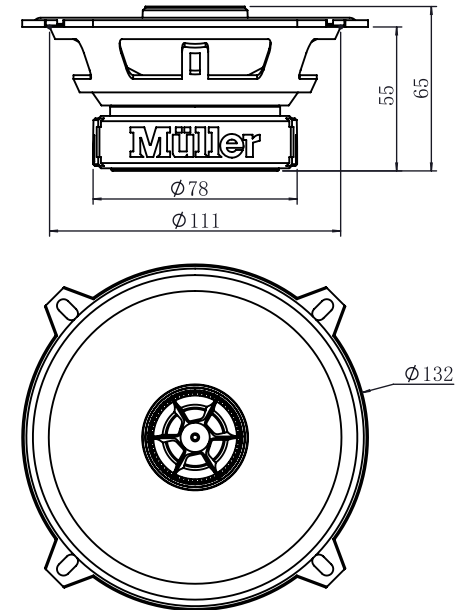
General Specifications

Type		Woofer	Tweeter
Overall Dimensions	mm		132*65
RMS POWER	W		35
MAX POWER	W		70
Sensitivity	dB		84.5
Frequency Response	Hz		96-20K
Voice Coil Diameter	mm	25.9	13.28
Nominal Impedance	ohms	4	4
DC Resistance	ohms	3.4	3
Magnet (OZ)	Ferrite		Neodymium
Basket material	Stamped Steel Basket		ABS
Coil Material	Copper		CCAW
Former material	Kapton		Kapton
Cone Material	PP		PEI
Surround material	Rubber		PEI
Voice coil winding height	mm	6.5	1.4
Gap height	mm	4	1.5
Xmax	mm	1.25	
BL Product	N.A	3.06	
Net weight	kg	0.55	

T-S Parameters

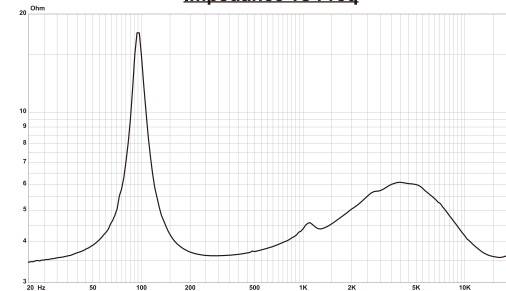
	Hz	96	4K
Fs			
Mms	g	8.04	
Cms	mm/N	0.33	
Qms		6.24	
Qes		1.76	
Qts		1.37	
Vas	L	3.61	
Sd	cm ²	86.5	
No	%	0.17	

Dimensions



FOR REFERENCE ONLY

Impedance vs Freq



SPL vs Freq



CE