

Müller

Sound der Inspiriert

USER MANUAL FOR

MUL-69C

6*9 INCH 3 WAY COAXIAL SPEAKER

MUL 69C
6*9 Inch 3-way Coaxial Speaker
Ø 1.0 Inch Voice Coil 4Ω

Müller
 Sound der Inspiriert

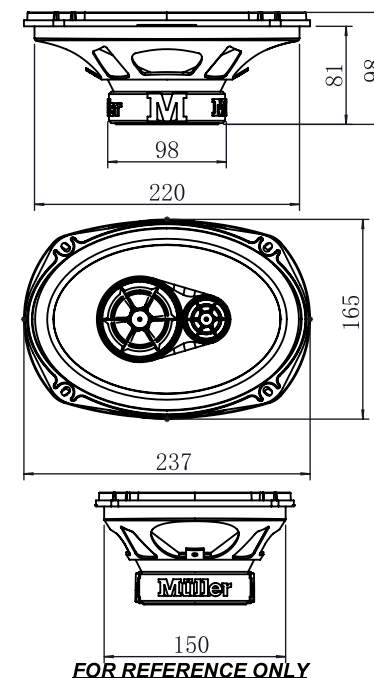
General Specifications

Type		WF	MID	TW
Overall Dimensions	mm	236*164*98		
RMS POWER	W	60		
MAX POWER	W	120		
Sensitivity	dB	87.3		
Frequency Response	Hz	55-20K		
Voice Coil Diameter	mm	25.9	20.4	13.28
Nominal Impedance	ohms	4	4	4
DC Resistance	ohms	3.4	3.2	3
Magnet (OZ)	Ferrite	Ferrite	Neodymium	
Basket material	Stamped Steel Basket	ABS	ABS	
Coil Material	Copper	CCA W	CCA W	
Former material	Kapton	Kapton	Kapton	
Cone Material	PP	PEI	PEI	
Surround material	Rubber	PEI	PEI	
Voice coil winding height	mm	8.7	1.8	1.4
Gap height	mm	4	2	1.5
Xmax	mm	2.35		
BL Product	N.A	4.15		
Net weight	kg	1.25		

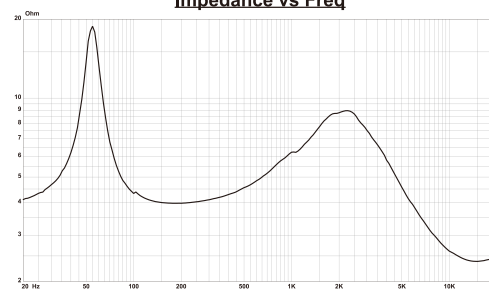
T-S Parameters

Fs	Hz	57
Mms	g	58
Cms	mm/N	59
Qms		60
Qes		61
Qts		62
Vas	L	63
Sd	cm ²	64
No	%	65

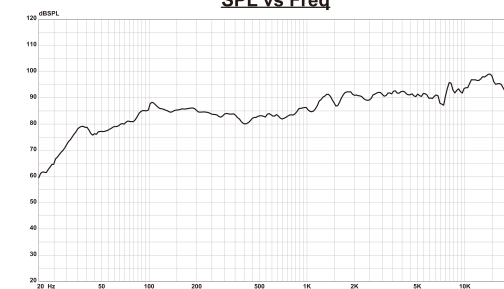
Dimensions



Impedance vs Freq



SPL vs Freq



CE